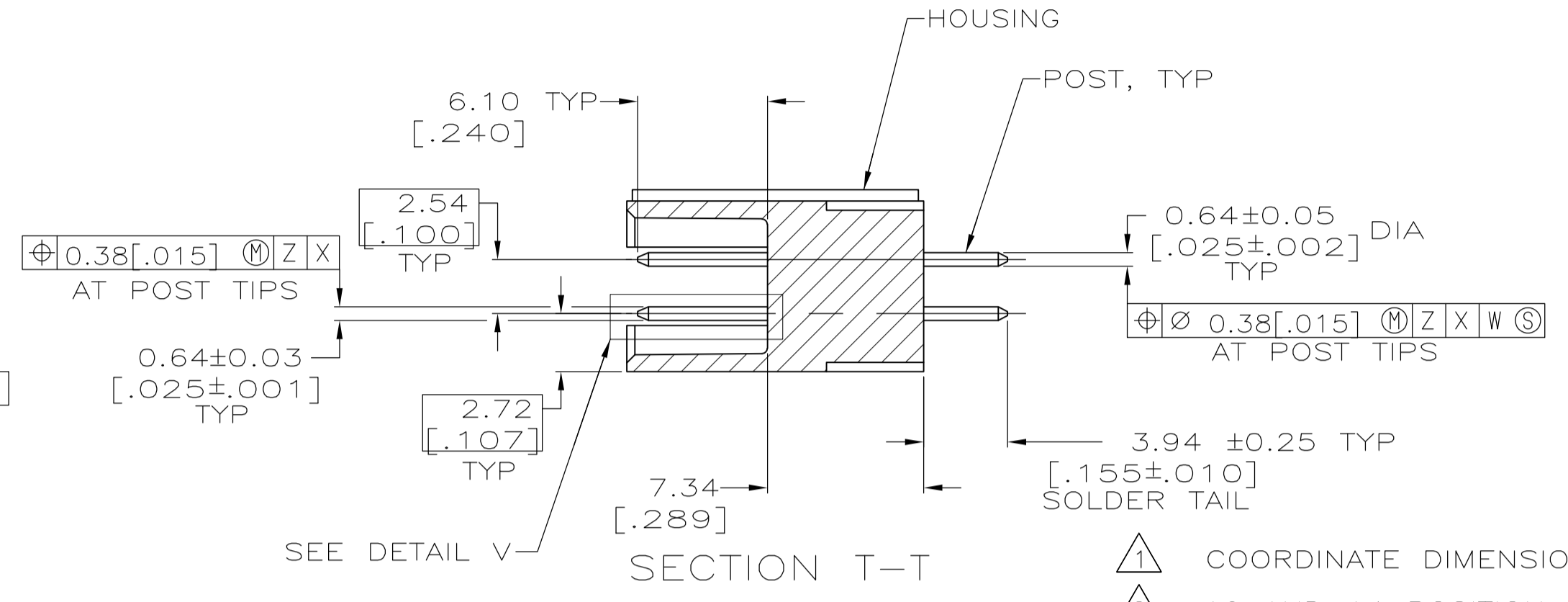
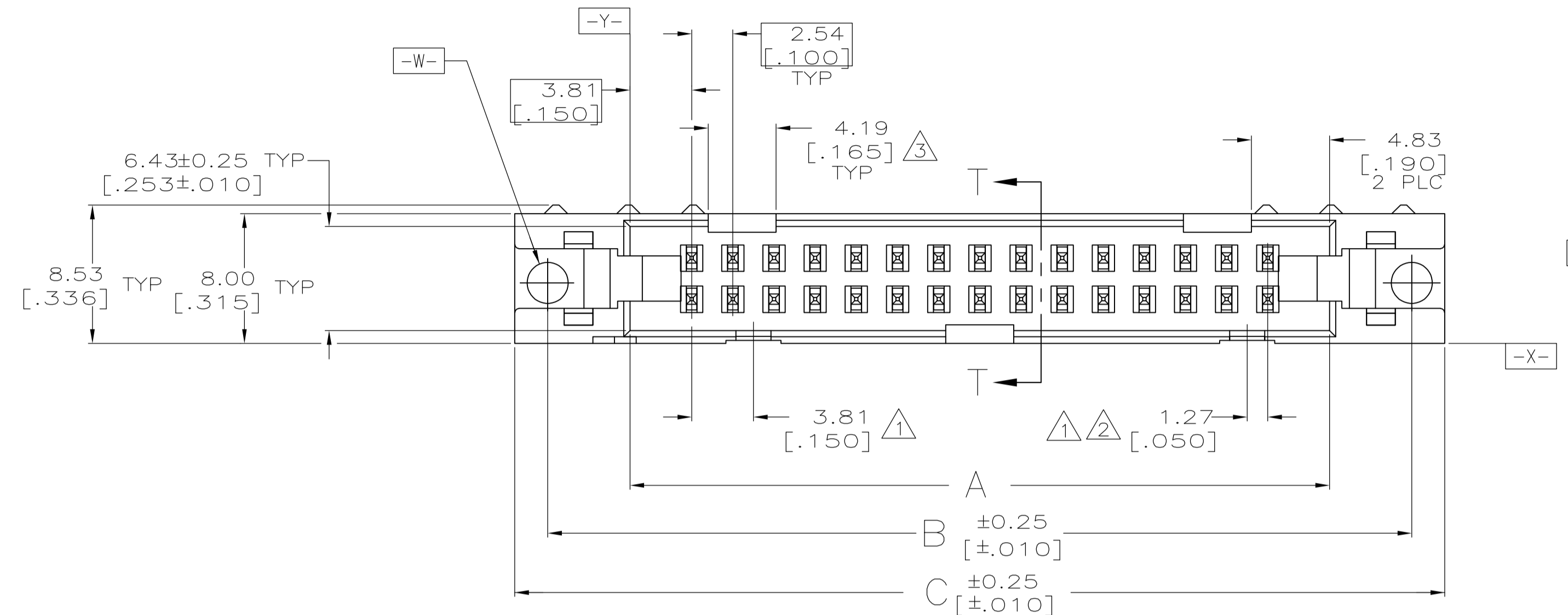
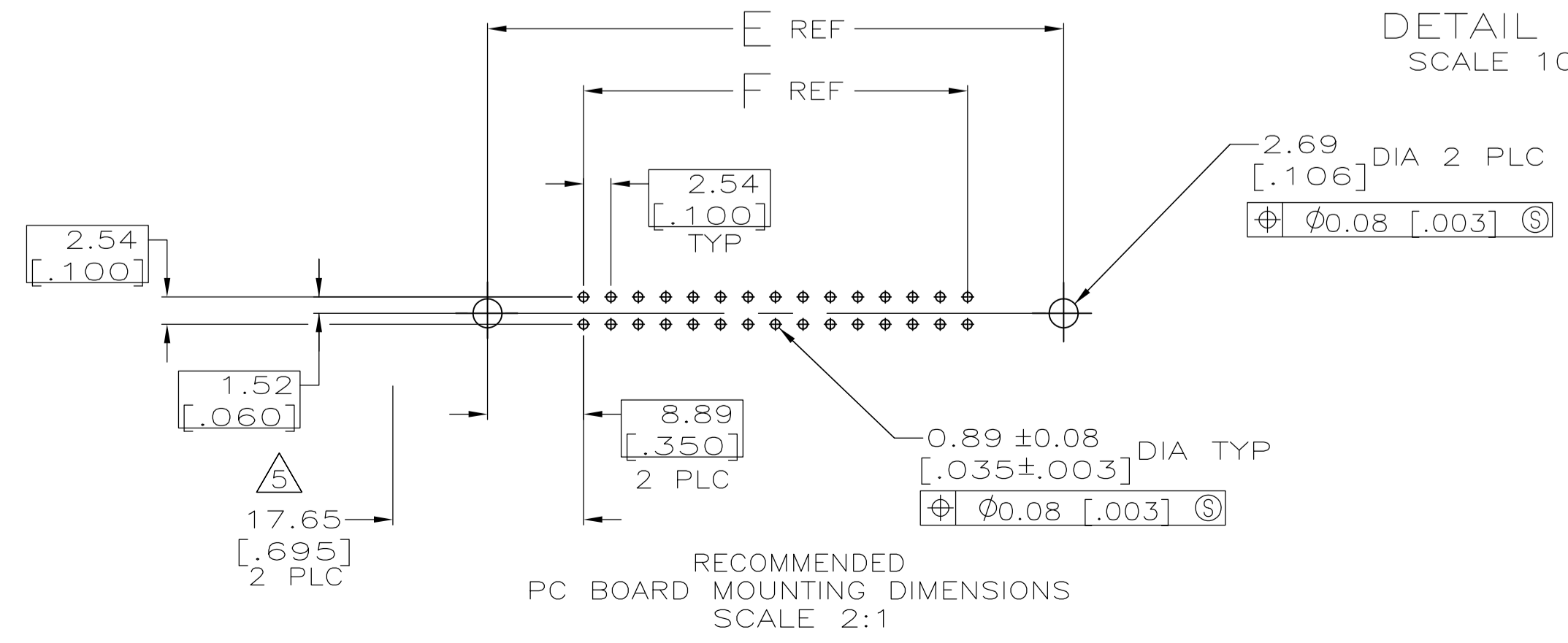
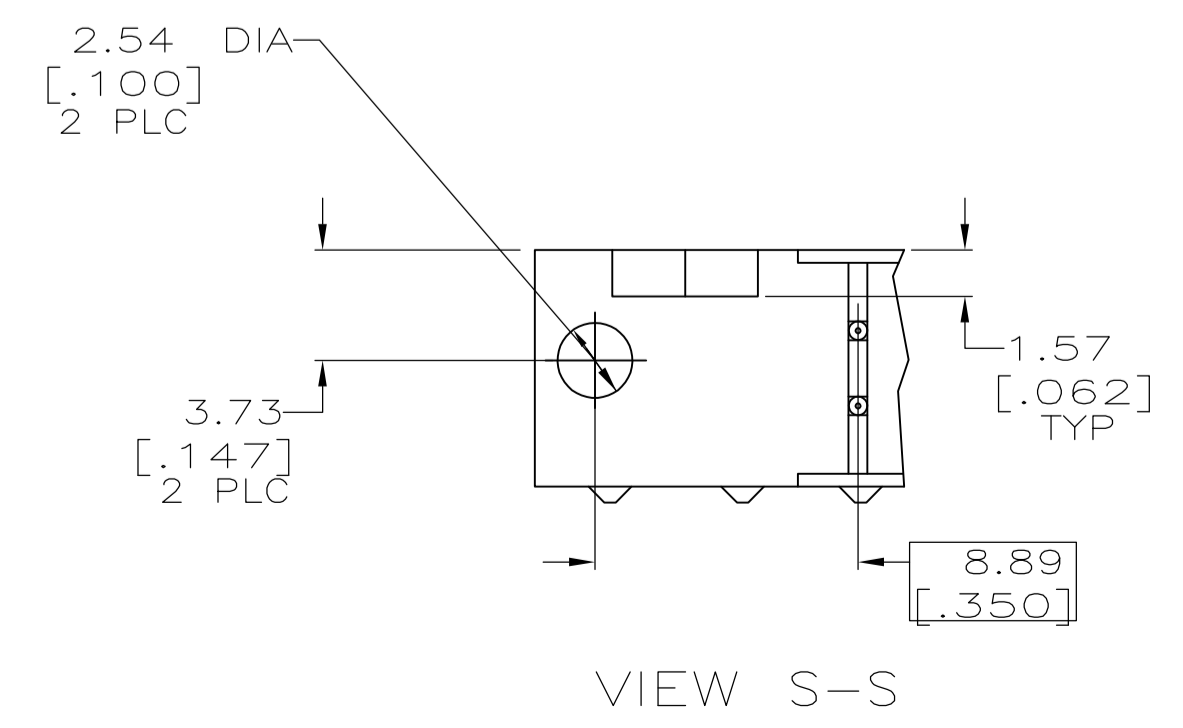
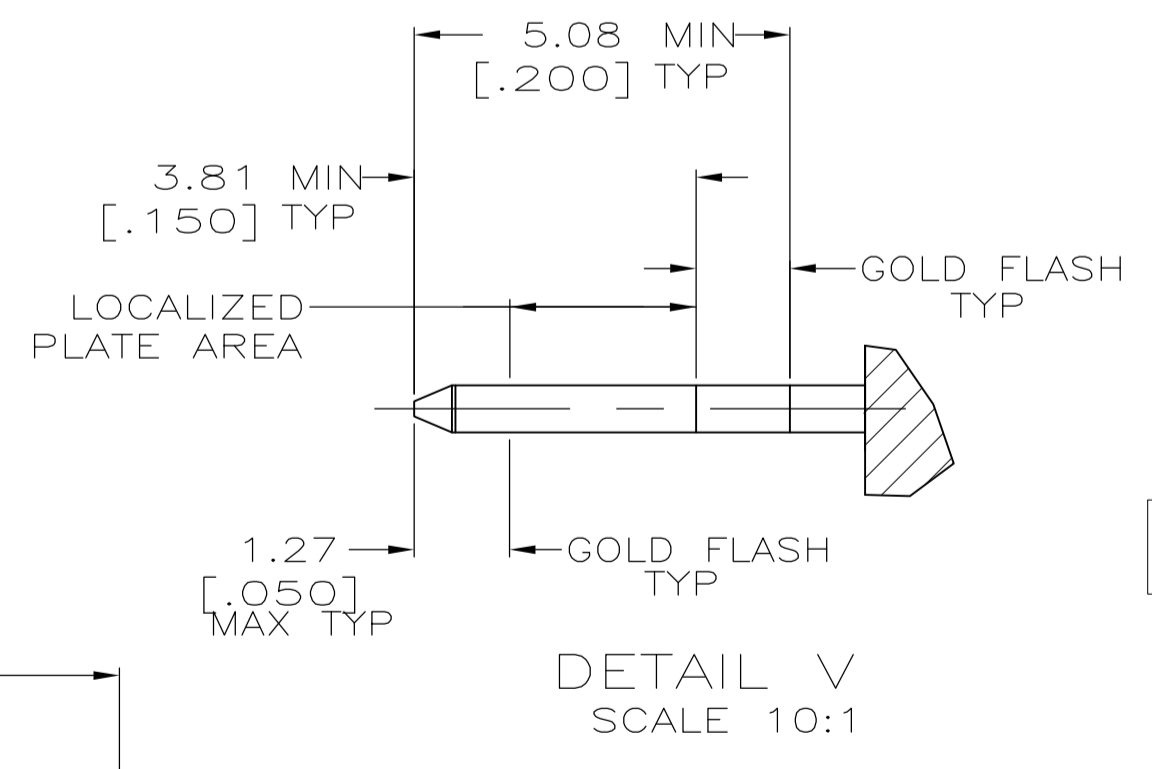
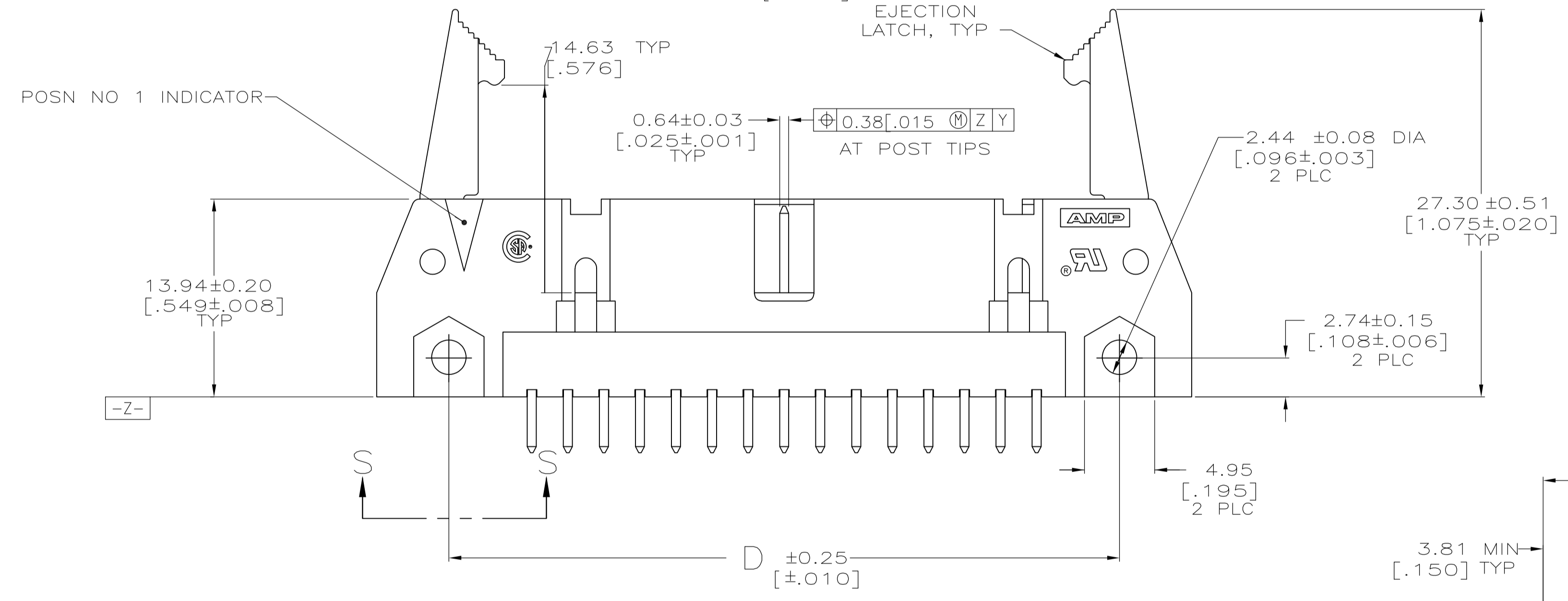


EJECTION LATCHES OMITTED IN THIS VIEW FOR CLARITY



- 1. COORDINATE DIMENSION APPLIES FROM BASIC LOCATION.
- 2. 10 AND 14 POSITION SIZES CONTAIN ONLY ONE SLOT FOR SNAP-IN POLARIZER (MILITARY POLARIZATION) LOCATED AS SHOWN.
- 3. 10 POSITION SIZES CONTAIN ONLY ONE SLOT FOR DUAL POLARIZATION, LOCATED AS SHOWN.
- 4. RECOMMENDED PRINTED CIRCUIT BOARD THICKNESS IS 3.18 [.125].
- 5. DISTANCE REQUIRED BY EJECTION LATCHES IN THE OPEN POSITION.
- 6. POSTS: GOLD FLASH OVER PALLADIUM-NICKEL PLATE, 0.76µm [.000030] MIN TOTAL ON THE LOCALIZED PLATE AREA, 2.54µm [.000100] MIN TIN-LEAD PLATE ON THE SOLDER-TAIL, 1.27µm [.000050] MIN NICKEL UNDERPLATE ON THE ENTIRE POST. -OR- 0.76µm [.000030] MIN GOLD PLATE ON THE LOCALIZED PLATE AREA, 2.54µm [.000100] MIN TIN-LEAD PLATE ON THE SOLDER-TAIL, 1.27µm [.000050] MIN NICKEL UNDERPLATE ON THE ENTIRE POST.



OBSOLETE	53.34	71.12	65.02	75.18	71.12	60.96	44	1-102321-3
	2.100	2.800	2.560	2.960	2.800	2.400		
	78.74	96.52	90.42	100.58	96.52	86.36	64	1-102321-2
	3.100	3.800	3.560	3.960	3.800	3.400		
	73.66	91.44	85.34	95.50	91.44	81.28	60	1-102321-1
	2.900	3.600	3.360	3.760	3.600	3.200		
	60.96	78.74	72.64	82.80	78.74	68.58	50	1-102321-0
	2.400	3.100	2.860	3.260	3.100	2.700		
	48.26	66.04	59.94	70.10	66.04	55.88	40	102321-9
	1.900	2.600	2.360	2.760	2.600	2.200		
	40.64	58.42	52.32	62.48	58.42	48.26	34	102321-8
	1.600	2.300	2.060	2.460	2.300	1.900		
	35.56	53.34	47.24	57.40	53.34	43.18	30	102321-7
	1.400	2.100	1.860	2.260	2.100	1.700		
	30.48	48.26	42.16	52.32	48.26	38.10	26	102321-6
	1.200	1.900	1.660	2.060	1.900	1.500		
OBSOLETE	27.94	45.72	39.62	49.78	45.72	35.56	24	102321-5
	1.100	1.800	1.560	1.960	1.800	1.400		
	22.86	40.64	34.54	44.70	40.64	30.48	20	102321-4
	.900	1.600	1.360	1.760	1.600	1.200		
	17.78	35.56	29.46	39.62	35.56	25.40	16	102321-3
	.700	1.400	1.160	1.560	1.400	1.000		
	15.24	33.02	26.92	37.08	33.02	22.86	14	102321-2
	.600	1.300	1.060	1.460	1.300	.900		
	10.16	27.94	21.84	32.00	27.94	17.78	10	102321-1
	.400	1.100	.860	1.260	1.100	.700		
	F	E	D	C	B	A	NO OF POSN	PART NUMBER

THIS DRAWING IS A CONTROLLED DOCUMENT.

DW: H.MOLL	4-23-90	Tyco Electronics Corporation Harrisburg, PA 17105-3608
CHK: R. STONE	11-28-90	
DIMENSIONS: INCHES		NAME: HEADER ASSY, UNIVERSAL, AMP-LATCH
TOLERANCES UNLESS OTHERWISE SPECIFIED:		
0 PLC ±	±	PRODUCT SPEC: 108-40018
1 PLC ±	±	APPLICATION SPEC: -
2 PLC ±	± 0.13[.005]	SIZE: A1
3 PLC ±	±	CAGE CODE: 00779
4 PLC ±	±	DRAWING NO: 102321
ANGLES ±	±	RESTRICTED TO: -
MATERIAL: HOUSING & LATCHES: GLASS FILLED NYLON OR POLYESTER. BRASS POSTS: BLACK. POSTS: PHOS BRONZE OR BRASS.	FINISH: -	WEIGHT: -
CUSTOMER DRAWING		SCALE: 4:1
		SHEET 1 OF 1
		REV: K